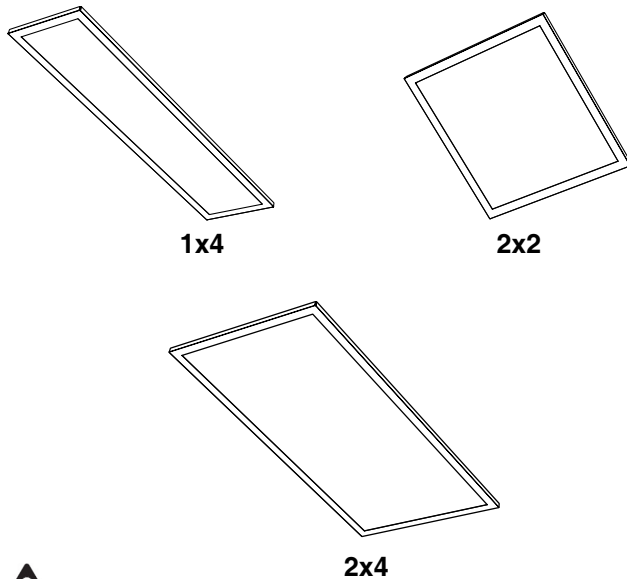


INSTALLATION INSTRUCTIONS

C-TR-A-FP LED Flat Panel

Document:	LPN00523X0001A0	Date	2017-8-29
Created By:	TMT	ECO#	008175



CAUTIONS

IMPORTANT SAFEGUARDS

When using electrical equipment, basic safety precautions should always be followed including the following:

READ AND FOLLOW ALL SAFETY INSTRUCTIONS

- DANGER**- Risk of shock- Disconnect power before installation.
DANGER – *Risque de choc – Couper l'alimentation avant l'installation.*
- Caution** - Risk of Fire.
Attention - *Risque D'incendie*
- This luminaire must be installed in accordance with the nec or your local electrical code. If you are not familiar with these codes and requirements, consult a qualified electrician.
Ce produit doit être installé conformément à nec ou votre code électrique local. Si vous n'êtes pas familier avec ces codes et ces exigences, veuillez contacter un électricien qualifié.
- Suitable for damp locations.
Convient aux emplacements humides.
- Min 90°C supply conductors.
Les fils d'alimentation 90°C min.
- Inherently protected.
Protection inherente.
- Type IC. Vapor barrier must be suitable for 90°C.
Type IC. Le pare-vapeur doit convenir pour 90°C.

SAVE THESE INSTRUCTIONS FOR FUTURE REFERENCE

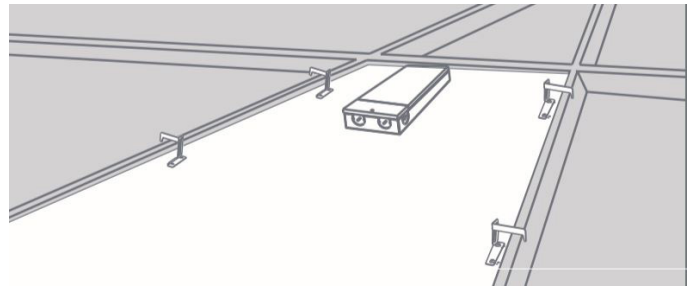
INSTALLATION

- Locate desired fixture location in ceiling grid.
- Remove existing ceiling panel at chosen location. Remove adjacent ceiling panel to allow for wiring access from above.
- Place fixture into T-bar ceiling grid. Bend clips on top of fixture up and rotate out to engage with T-bar support grid. See **Figure 1**. Secure fixture to grid in compliance with state and local codes.
- Remove screw on driver wiring chamber and remove cover. Set screw and cover aside to be reinstalled later.
- Remove appropriate 1/2" knockout(s) to allow for entry of supply wiring into wiring chamber.
- Make wiring connections per the **Fixture Wiring** section.

NOTE:

- Terminal blocks in driver wiring chamber will accommodate 14-20 AWG solid or stranded leads.
 - For dimming connections (if used) use Class 1 wiring methods only.
- Reattach cover of wiring chamber with screw that was removed in Step 4 above.
 - Replace adjacent ceiling panel removed in Step 2.

FIGURE 1



FIXTURE WIRING

Fixture is equipped with universal volt driver 120-277V (ie. 120V, 208V, 240V or 277V)

PHASE TO NEUTRAL WIRING 120/277V

- Connect supply ground to fixture ground (green) lead.
- Connect supply common to fixture neutral (white) lead.
- Connect supply Vin to fixture hot (black) lead.

Tuck all wires carefully into wiring chamber ensuring that no wires are pinched.

PHASE TO PHASE WIRING 208/240V

- Connect supply ground to fixture ground (green) lead.
- Connect supply L1 (Hot) to fixture neutral (white) lead.
- Connect supply L2 (Hot) to fixture hot (black) lead.

Tuck all wires carefully into wiring chamber ensuring that no wires are pinched.

DIMMING

- Grey and violet leads are for 0-10V dimming systems. Cap off if not used.

INSTALLATION INSTRUCTIONS

C-TR-A-FP LED Flat Panel

Document:	LPN00523X0001A0	Date	2017-8-29
Created By:	TMT	ECO#	008175

FCC NOTICE Class A

CAUTION: Changes or modifications not expressly approved could void your authority to use this equipment.

This device complies with part 15 of the FCC Rules. Operation is subject to the following two conditions: (1) This device may not cause harmful interference, and (2) this device must accept any interference received, including interference that may cause undesired operation.

This equipment has been tested and found to comply with the limits for a Class A digital device, pursuant to part 15 of the FCC Rules. These limits are designed to provide reasonable protection against harmful interference when the equipment is operated in a commercial environment. This equipment generates, uses, and can radiate radio frequency energy and, if not installed and used in accordance with the instruction manual, may cause harmful interference to radio communications. Operation of this equipment in a residential area is likely to cause harmful interference in which case the user will be required to correct the interference at his own expense.

CAN ICES-005 (A)/NMB-005 (A)