

## IMPORTANT SAFEGUARDS

When using electrical equipment, basic safety precautions should always be followed including the following:

### READ AND FOLLOW ALL SAFETY INSTRUCTIONS

- DANGER**- Risk of shock- Disconnect power before installation.  
*DANGER – Risque de choc – Couper l'alimentation avant l'installation.*
- This luminaire must be installed in accordance with the NEC or your local electrical code. If you are not familiar with these codes and requirements, consult a qualified electrician.  
*Ce produit doit être installé conformément à NEC ou votre code électrique local. Si vous n'êtes pas familier avec ces codes et ces exigences, veuillez contacter un électricien qualifié.*
- Suitable for damp location.  
*Convient aux emplacements humides.*
- Maximum ambient operating temperature as following:  
65°C for Model HXBx when lumen rating is less than or equal to 35K lm when Cree Model HXB-TF-UH Step-Down Transformer is provided.  
56°C for Model HXBx when lumen rating is greater than 35K lm but less than or equal to 70K lm when input voltage equals 347VAC when Cree Model HXB-TF-UH Step-Down Transformer is provided.  
43°C for Model HXBx when lumen rating is greater than 35K lm but less than or equal to 70K lm when input voltage equals 480VAC when Cree Model HXB-TF-UH Step-Down Transformer is provided.  
*Température ambiante de fonctionnement maximale de la manière suivante:*  
65 ° C pour le modèle HXBx quand lumen note est inférieure ou égale à 35K lm quand transformateur abaisseur crie Modèle HXB-TF-UH est fourni.  
56 ° C pour le modèle HXBx lorsque lumen note est supérieure à 35K lm mais inférieure ou égale à 70K lm lorsque la tension d'entrée est égale à 347V ca quand Cree transformateur abaisseur Modèle HXB-TF-UH est fourni.  
43 ° C pour le modèle HXBx lorsque lumen note est supérieure à 35K lm mais inférieure ou égale à 70K lm lorsque la tension d'entrée est égale à 480VAC lorsque Cree transformateur abaisseur Modèle HXB-TF-UH est fourni.
- MIN 105°C SUPPLY CONDUCTORS  
*LES FILS D'ALIMENTATION 105°C MIN.*
- For use ONLY with Cree Listed Luminaire Models HXB series when lumen rating less than or equal to 70K lm.  
*A utiliser uniquement avec Cree Listed Luminaire série Modèles de HXB lorsque lumen note inférieure ou égale à 70K lm.*
- Not for use in dwellings.  
*Ne pas utiliser dans les logements.*

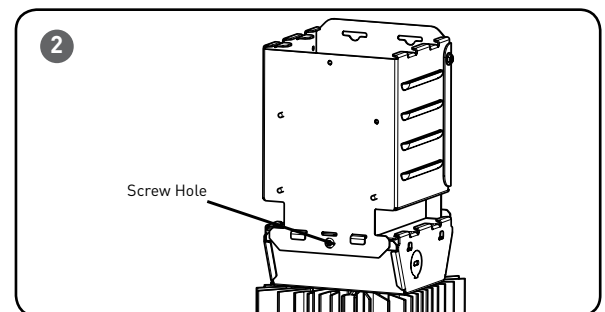
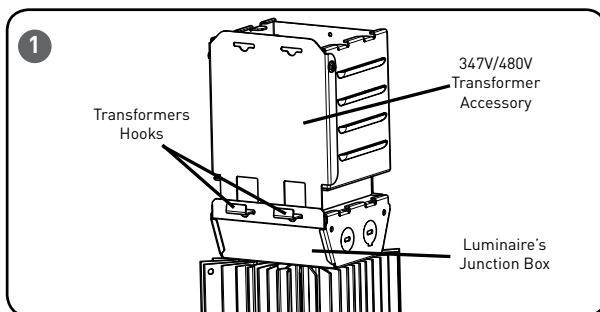
## INSTALLATION INSTRUCTIONS INSTRUCTIONS D'INSTALLATION

### NOTES:

- To reduce the risk of personal injury from cuts or abrasions: Wear gloves to prevent cuts or abrasions from sharp edges when removing from carton, handling and maintaining this product.
- DO NOT grab the heat sink fins.
- DO NOT lift luminaire by the power leads or cord.
- Check to make sure that all input power connections have been properly made and the module is grounded to avoid potential electrical shock.

## SAVE THESE INSTRUCTIONS FOR FUTURE REFERENCE

### TO INSTALL:



### TRANSFORMER INSTALLATION ONTO LUMINAIRE

#### STEP 1:

Remove junction box cover from top of housing by loosening screw and slide cover off.

**NOTE:** Leave splice connectors in place.

#### STEP 2:

Make wiring connections per the **Electrical Connections** section between the luminaire and the 347V/480V transformer accessory inside the luminaire junction box. Once connections are made push the leads inside the junction box.

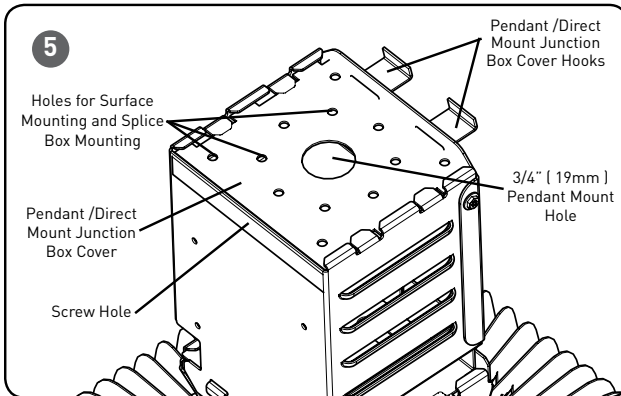
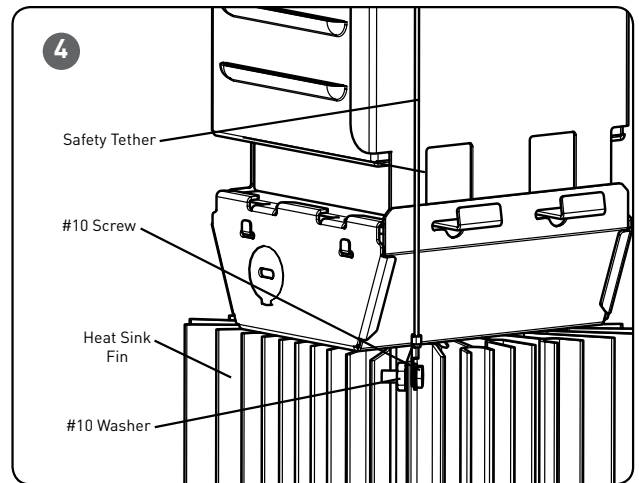
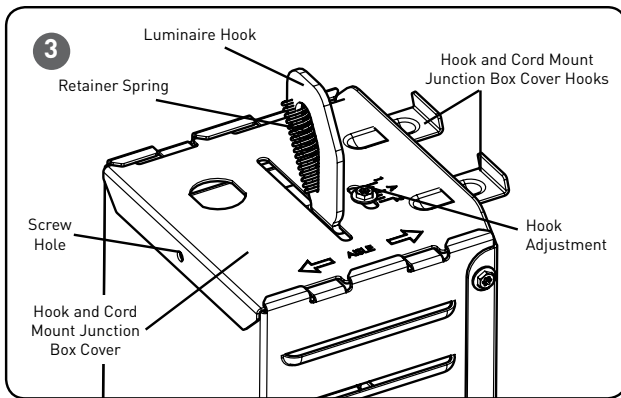
**NOTE:** Make wiring connections while luminaire is on the ground.

#### STEP 3:

Attach the 347V/480V transformer accessory to luminaire junction box by engaging the hooks on the transformer into the slots on luminaire's junction box. See **Figure 1**.

#### STEP 4:

Tilt the 347V/480V transformer to level with luminaire junction box and slide transformer into place until screw hole on transformer is flush against luminaire's junction box. See **Figure 2**.



**STEP 5:**

Secure the 347V/480V transformer onto junction box by reinstalling screw that was removed in Step 1. Ensure that no wires or splice connectors are pinched.

**STEP 6:**

Install the luminaire and transformer assembly to the mounting surface by referencing the appropriate mounting method on the next pages, hook and cord mount, direct mount or pendant mount.

**HOOK AND CORD MOUNT**

**NOTE:** For connecting the flexible cord to the wiring box for branch supply, suitable Listed cord connector of the involved cord size and standard conduit opening shall be used in order to maintain strain relief.

**STEP 1:**

Attach the hook and cord junction box cover to the transformer's junction box by engaging the hook and cord junction box cover hooks into slots on the transformer. See **Figure 3**.

**STEP 2:**

Tilt the hook and cord junction box cover to level with transformer and slide cover into place until screw hole on cover is flush against transformer. See **Figure 3**.

**STEP 3:**

Secure the hook and cord junction box cover onto the transformer by installing screw. Ensure that no wires or splice connectors are pinched.

**STEP 4:**

Push down on retainer spring until top of spring is free of luminaire hook. See **Figure 3**.

**STEP 5:**

Slide hook into securely mounted customer supplied eye hanger and return retainer spring to original position.  
**NOTE:** The luminaire should already be factory set for correct balance. However, should you need to, the fixture may be balanced by loosening the hook adjustment set screw on the top of the housing and sliding the hook as necessary for correct balance. Tighten hook set screw when finished. See **Figure 3**.

**STEP 6:**

Attach customer supplied plug to the cord on the luminaire and connect to the proper socket according to the plug. If a plug is not desired make wiring connections per the **Electrical Connections** section.  
**NOTE:** Customer supplied plug needs to be a UL listed NEMA® or Non-NEMA® plug suitable for the voltage and current.

**DIRECT MOUNT**

**STEP 1:**

For direct mount application attach eyelet of safety tether to luminaire's heat sink fin by inserting #10 screw into the safety tether eyelet. Locate the screw hole on the heat sink fin (See **Figure 4**) and while holding the #10 lock nut with a 3/8" wrench bring it to the side of the hole shown in **Figure 2**. Insert the #10 screw with the safety tether into the other side of the hole. Torque the washer and screw to 20-24 in-lbs.

**STEP 2:**

Connect the loop end of the safety tether to suitable customer supplied mounting surface using suitable customer supplied hardware.

**STEP 3:**

Attach supplied pendant/direct mount junction box cover to mounting surface using designated mounting holes on top of cover. See **Figure 5**.  
**NOTE:** Ensure that the orientation of the cover when mounting has the cover hooks pointing upwards and the lip of the cover pointing downwards.

**STEP 4:**

Make wire connections per **Electrical Connections** and then push the leads into transformer.

**STEP 5:**

Tilt luminaire and move into place by engaging pendant/direct mount junction box cover hooks into slots on the transformer's. See **Figure 5**.

**STEP 6:**

Tilt luminaire to level with pendant/direct mount junction cover and slide luminaire and pendant/direct mount junction box into place until screw hole on cover is flush against the transformer. See **Figure 5**.

**STEP 7:**

Secure pendant/direct mount junction box cover onto transformer by installing screw. Ensure that no wires or splice connectors are pinched.

## PENDANT MOUNT

### STEP 1:

Attach customer supplied 3/4" threaded pendant, along with two locknuts (one for inside the junction box cover and one for outside the junction box cover) to supplied pendant/direct mount junction box cover.

**NOTE:** Ensure that the orientation of the cover when mounting has the cover hooks pointing upwards and the lip of the cover pointing downwards. See **Figure 5**.

### STEP 2:

Feed luminaire cord up through customer supplied pendant.

### STEP 3:

Attach pendant/direct mount junction box cover to transformer's junction box by engaging pendant/direct mount junction box cover hooks into slots on transformer's junction box. See **Figure 5**.

### STEP 4:

Tilt pendant/direct mount junction cover to level with transformer and slide cover into place until screw hole on cover is flush against transformer. See **Figure 5**.

### STEP 5:

Secure pendant/direct mount junction box cover onto transformer by installing screw. Ensure that no wires or splice connectors are pinched.

### STEP 6:

Attach luminaire and pendant to mounting surface and make wire connections per **Electrical Connections**.

## ELECTRICAL CONNECTIONS

### BETWEEN TRANSFORMER ACCESSORY AND THE LUMINAIRE

#### STEP 1:

Make the following Electrical Connections between the transformer accessory and the luminaire:

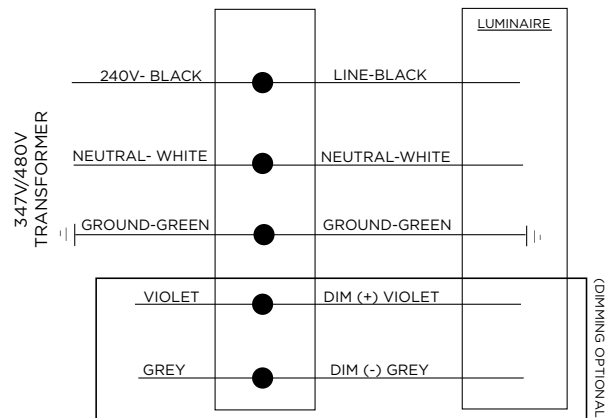
- Connect the 240V black transformer accessory lead to the black fixture lead.
- Connect the neutral (white) transformer accessory lead to the neutral (white) fixture lead.
- Connect the green or green/yellow transformer accessory ground lead to luminaire green or green/yellow ground lead.

#### STEP 2:

If Dimming is an option remove the Class 2 wiring barrier inside the junction box and replace barrier after connections are made. Ensure that wires are not pinched. Make the following Electrical Connections:

**NOTE:** The incoming signal cable need to pass through the 1/2" knockout shown in **Figure 3**.

- If Dimming is an option; connect the violet dimming positive lead to the supply dimming positive lead.
- If Dimming is an option; connect the grey dimming negative lead to the supply dimming negative lead.



### BETWEEN TRANSFORMER ACCESSORY AND SUPPLY WIRING

#### STEP 1:

Make the following Electrical Connections between the transformer accessory and supply wiring:

- For 347V connect the voltage supply position or Hot 1 lead to the transformer's orange lead.
- For 480V connect the voltage supply position or Hot 1 lead to the transformer's red lead.
- Connect the neutral supply position or Hot 2 to the transformer's white lead.
- Connect the supply ground to the transformer's green or green/yellow ground.

