

IMPORTANT SAFEGUARDS

When using electrical equipment, basic safety precautions should always be followed including the following:

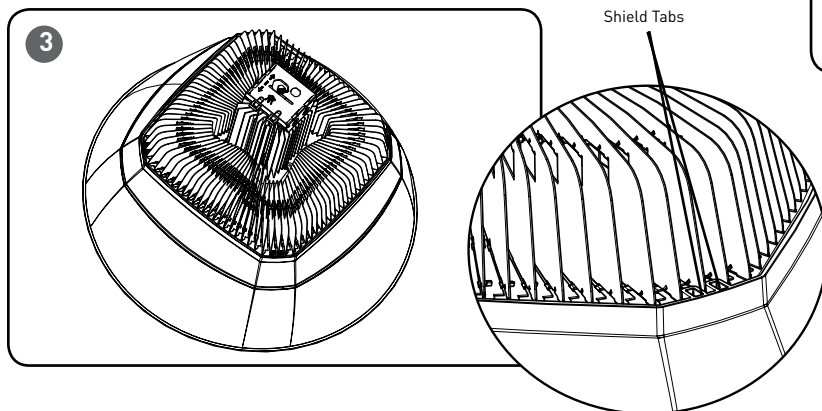
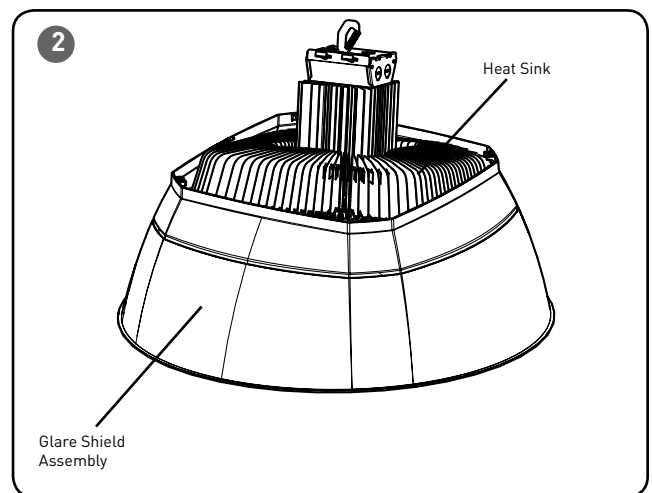
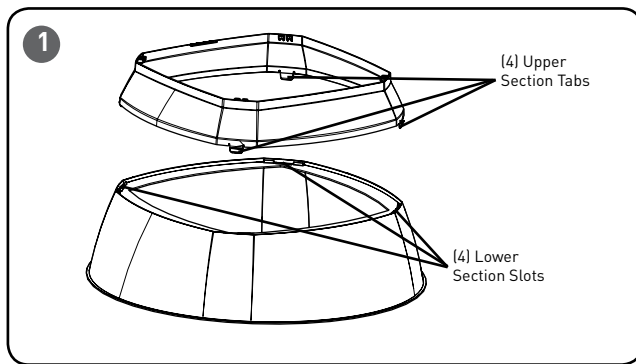
INSTALLATION INSTRUCTIONS INSTRUCTIONS D'INSTALLATION

READ AND FOLLOW ALL SAFETY INSTRUCTIONS

1. **DANGER**- Risk of shock- Disconnect power before installation.
DANGER – Risque de choc – Couper l'alimentation avant l'installation.

SAVE THESE INSTRUCTIONS FOR FUTURE REFERENCE

TO INSTALL:



SHIELD INSTALLATION

STEP 1:

Attach the upper and lower sections of the glare shield assembly together by firmly pressing the upper section tabs into the lower section slots. See **Figure 1**.

STEP 2:

While tilting the glare shield assembly, bring it up through the underside of the luminaire until the upper section of the glare shield assembly is past the heat sink. See **Figure 2**.

STEP 3:

Once the top part of the glare shield assembly is past the luminaire heat sink, straighten out the shield and align the glare shield assembly with the luminaire corners. See **Figure 3**.

STEP 4:

Slide the glare shield assembly down until the tabs on each corner of the shield are locked over the luminaire heat sink fins at each corner of the luminaire.

NOTE: There are two glare shield tabs per corner. See **Figure 3**.