

### IMPORTANT SAFEGUARDS

When using electrical equipment, basic safety precautions should always be followed including the following:

### READ AND FOLLOW ALL SAFETY INSTRUCTIONS

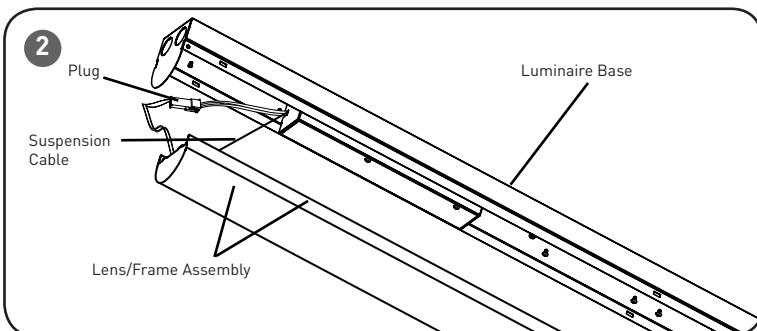
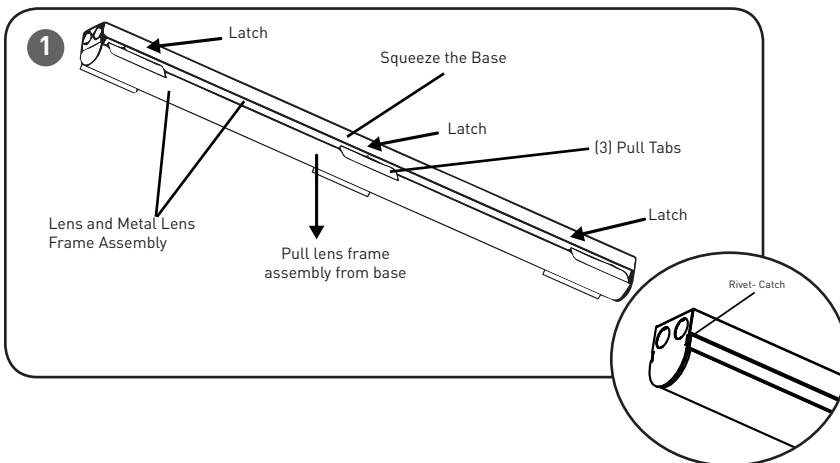
- DANGER**- Risk of shock- Disconnect power before installation. **DANGER – Risque de choc – Couper l'alimentation avant l'installation.**
- This luminaire must be installed in accordance with the NEC or your local electrical code. If you are not familiar with these codes and requirements, consult a qualified electrician. *Ce produit doit être installé conformément à NEC ou votre code électrique local. Si vous n'êtes pas familier avec ces codes et ces exigences, veuillez contacter un électricien qualifié.*

### SAVE THESE INSTRUCTIONS FOR FUTURE REFERENCE

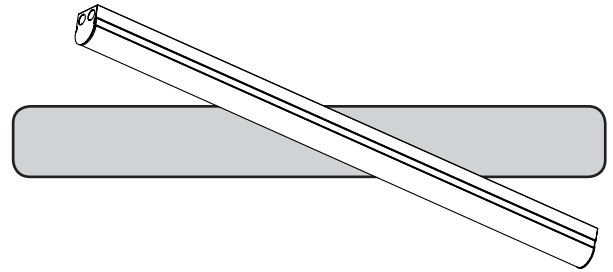
#### NOTES:

- Available luminaire lengths are 4' and 8'.
- Suitable for Damp Locations
- The LS Series is designed for multiple methods of installation, including: surface mount, T-bar ceiling grid attachment, and suspended by cable, chain or pendant. Mounting accessories are not included.
- Designed for use in 120-277V 60Hz protected circuit (fuse box, circuit breaker). Supply wire size as per NEC or governing code(s), 90C rated.

#### TO INSTALL:



#### INSTALLATION INSTRUCTIONS



#### Cree Accessories (ordered separately):

##### SUSPENDED MOUNT

- **AC5-12/3-48-Q14B-JB**- 48" Power Feed, #12/3 SJT Cord with Cable Support for J-Box
- **AC5-18/5-48-Q14B-JB**- 48" Power Feed, #18/5 SJT Cord with Cable Support for J-Box
- **AC5-18/2-48-Q14B-JB**- 48" Power Feed, #18/2 SJT Cord with Cable Support for J-Box
- **AC5-48-Q14B-TB**- 48" Cable Support for T-bar mount.
- **B=LS-M**- Optional Mounting Bracket

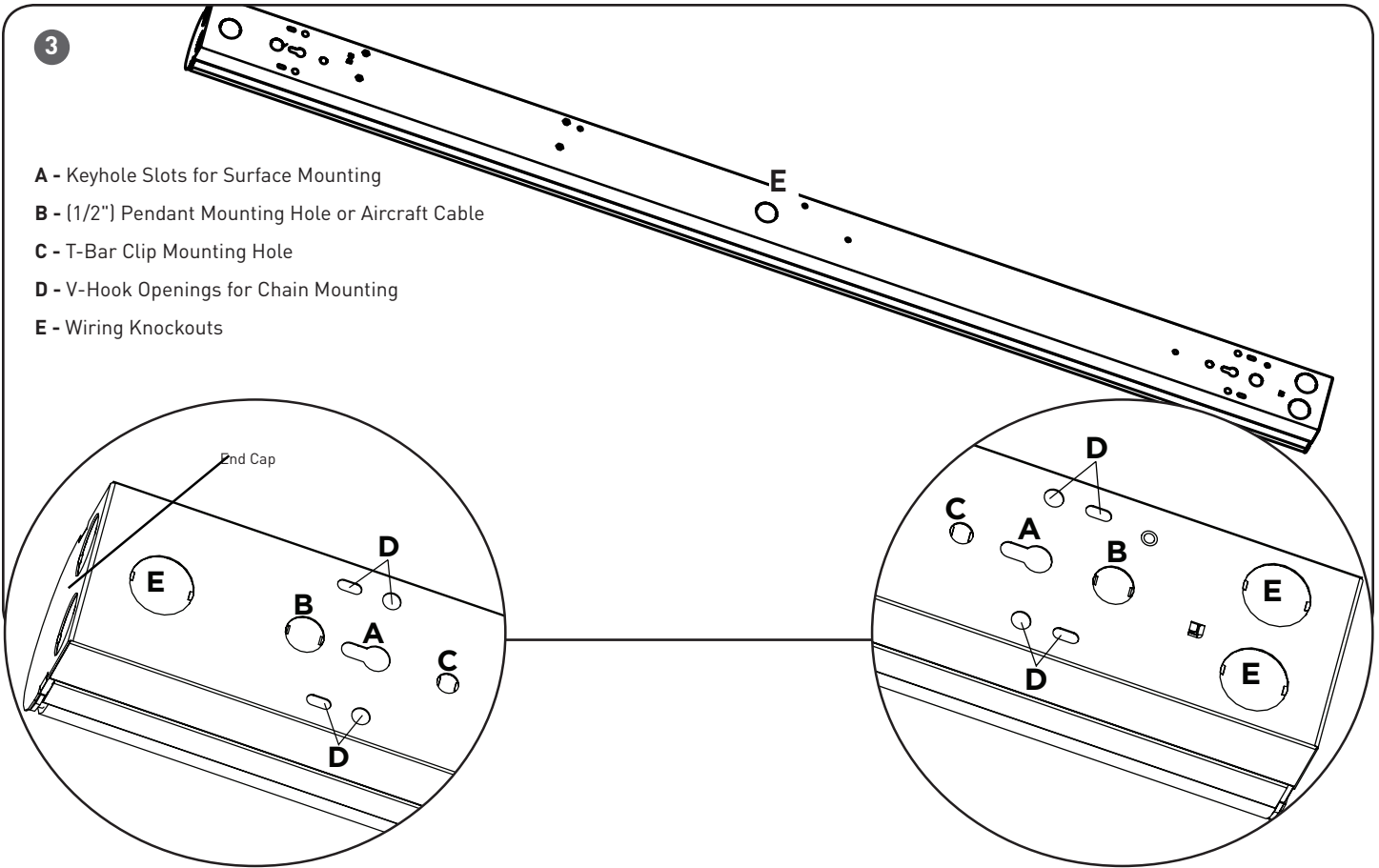
#### LUMINAIRE INSTALLATION

##### STEP 1:

Remove the lens/ frame assembly from the housing by pulling up on the three pull tabs. After releasing the tabs, release latches along length of luminaire by pressing on designated areas of base and pull top lens frame assembly away from base. Pull tabs can be discarded once lens/frame assembly is removed. If the lens/frame needs to be removed in the future, once pull tabs have been discarded, then use a non-marring tool or by hand and release the rivet-catch on each end of the luminaire. After releasing rivet-catches, (See **Figure 1, 2**, and below)

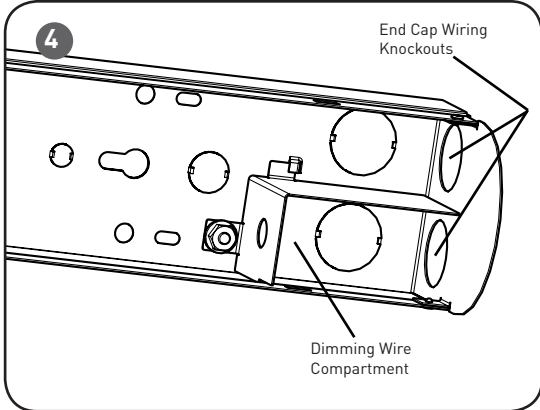
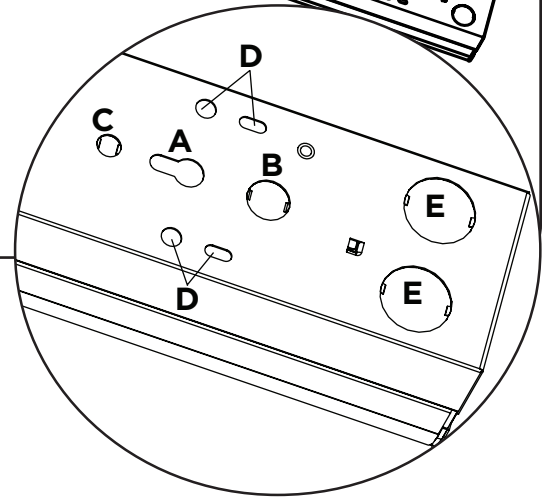
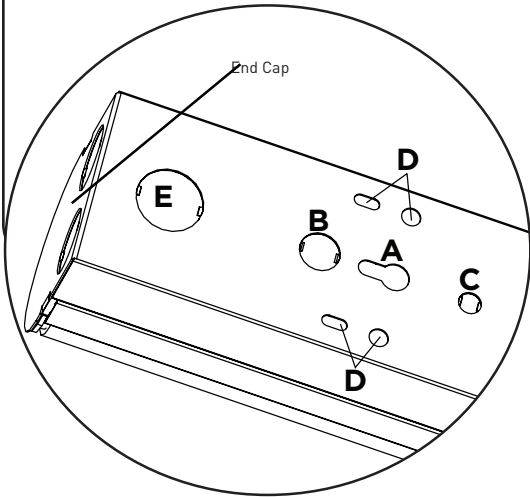
**NOTE:** The lens and metal lens frame is a single assembly and does not come apart. DO NOT attempt to remove the lens from the metal lens frame.

- **LS4:** Press in the center and on each end (22" away from the center) of the base. Total of 3 designated areas to press.
- **LS8:** Press in the center and every 23" away from the center, two per each end. Total of 5 designated areas to press.



3

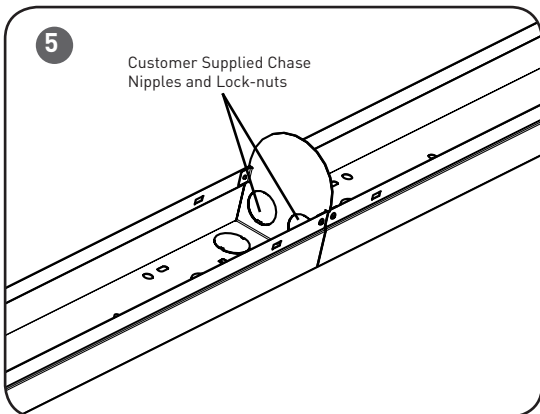
- A - Keyhole Slots for Surface Mounting
- B - (1/2") Pendant Mounting Hole or Aircraft Cable
- C - T-Bar Clip Mounting Hole
- D - V-Hook Openings for Chain Mounting
- E - Wiring Knockouts



4

End Cap Wiring Knockouts

Dimming Wire Compartment



5

Customer Supplied Chase Nipples and Lock-nuts

**STEP 2:**

**NOTE:** For dimension of mounting holes see last page **Figure 6 and 7**. Mount the luminaire base to mounting surface using one of the following methods:

**A - Surface Mounting**

Secure luminaire base to mounting surface by inserting (2) customer supplied #8 anchor screws, toggle bolts or suitable fasteners, depending on structural conditions, into key hole slots on the top side of the luminaire base. See **Figure 3**.

**B - Pendant Mounting**

Attach luminaire base to (2) customer supplied 1/2" diameter pendant using the pendant holes on the top side of the luminaire base as shown in **Figure 3**.

**B - Aircraft Cable Mounting**

Attach (2) customer supplied aircraft cable to the designated opening on the top side of the luminaire base as shown in **Figure 3**.

**C - T-Bar Ceiling Grid Mounting With T-Bar Clips**

Attach (2) customer supplied T-Bar clips to the designated opening on the luminaire as shown in **Figure 3**. Bring luminaire into T-Bar ceiling grid and secure luminaire to grid. **NOTE:** 8' luminaires will have (4) designated openings for customer supplied T-Bar clips.

**D - Chain Mounting**

Attach (2) customer supplied V-hooks to each end of the luminaire base. Attach customer supplied chain to the V-hooks and mounting surface. See **Figure 3**.

**STEP 3:**

For single luminaire installation proceed to the next Step. For multiple luminaire installation, insert customer supplied chase nipple and lock nuts into the knockout on the end cap located on each end of the luminaire. See **Figure 5**.

**STEP 4:**

Bring customer supply wires into luminaire through the wiring knockouts on the backside (E) or on the end caps and make electrical connections per "ELECTRICAL CONNECTION" section. See **Figure 3**.

**NOTE:** When connecting multiple luminaires together bring leads from adjoining luminaire into first luminaire through the end cap wiring knockouts and make wiring connections per electrical code. See **Figure 4**.

**NOTE:** If dimming is an option make electrical connection for dimming in the dimming compartment. See **Figure 4**.

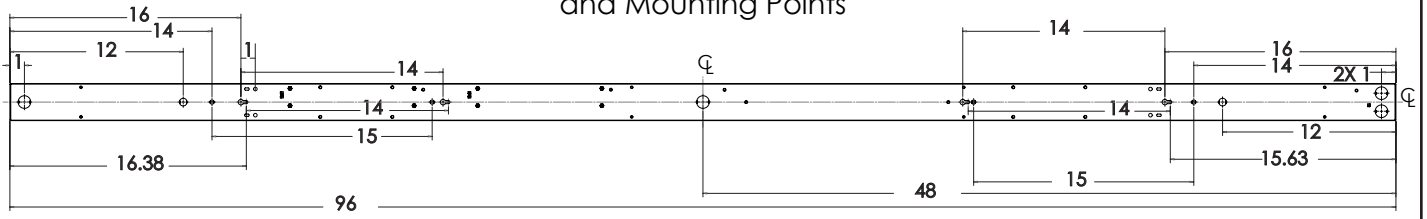
**STEP 5:**

Reattach lens and metal lens frame assembly to luminaire base by connecting the plug together shown in **Figure 2** and carefully push and metal lens frame assembly up into the base until it snaps in place.



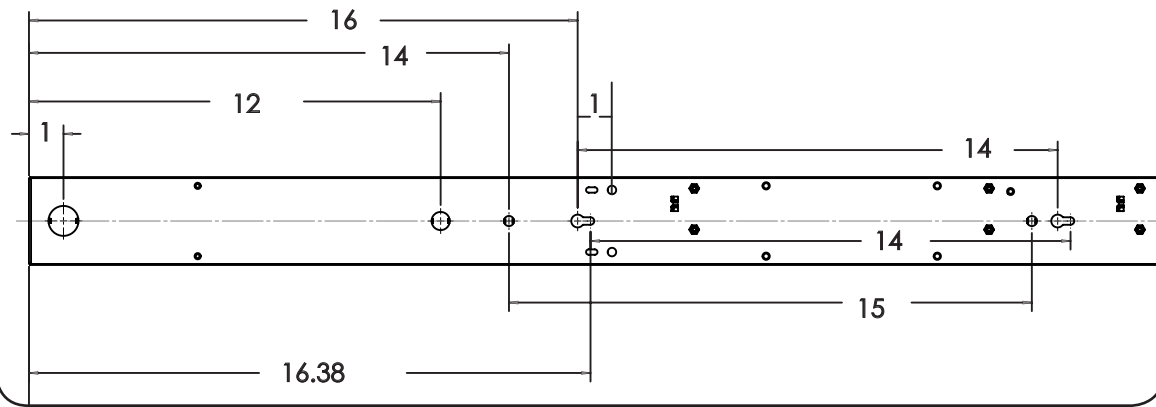
7

### LS8 Dimensions of Knockouts and Mounting Points



UNIT: Inches

#### Enlarged View of left side of the LS8 Knockouts and Mounting Point



#### Enlarged View of right side of the LS8 Knockouts and Mounting Point

