

# ZR-T TrueWhite® Series

ZR22™ 2' x 2' TrueWhite® Series LED Troffer with Gloss Finish

## Product Description

The ZR-T TrueWhite® LED troffer delivers 3200 lumens of superior 90+ CRI light quality and is perfect for both new construction and renovation. Powered by Cree TrueWhite® Technology, the slim and lightweight ZR-T LED troffer boasts an efficacious 100 LPW along with 0-10V dimming to meet local energy codes. The ZR22™ LED troffer embodies a breakthrough in balancing energy savings, visual comfort and initial cost.

## Performance Summary

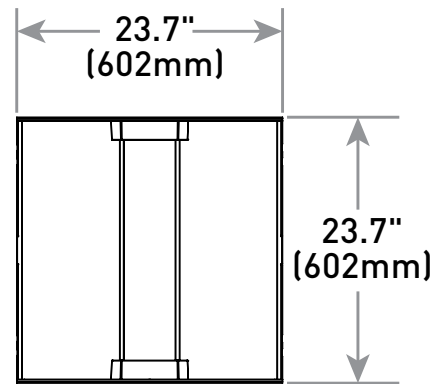
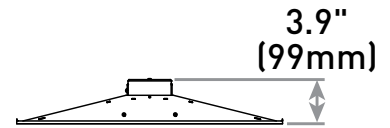
Utilizes Cree TrueWhite® Technology
<b>Efficacy:</b> 100 LPW
<b>Initial Delivered Lumens:</b> 3,200 lumens
<b>Input Power:</b> 32 watts
<b>CRI:</b> 90+ CRI
<b>CCT:</b> 3000K, 3500K, 4000K, 5000K
<b>Input Voltage:</b> 120-277 VAC or 347 VAC
<b>Limited Warranty*:</b> 10 years on luminaire
<b>Limited Warranty Emergency Back Up (EB) Battery:</b> 1 Year on Battery Back Up. Test regularly in accordance with local codes
<b>Controls:</b> 0-10V dimming to 5%
<b>Mounting:</b> Recessed*
Room-side accessible snap and lock removable lens

\* See [www.cree.com/canada](http://www.cree.com/canada) for warranty terms

\* Not intended for use with 9/16" T-Bar grids unless used with a 9/16" accessory clip like "Armstrong® LFC- Fixture Clip" which can be purchased through distribution. Consult factory for non-standard grid applications.

## Accessories

Field-Installed	
<b>Drywall Grid Adapter</b> <a href="#">DGA22-WHT</a>	<b>Wireless 0-10V Dimming/Switching Interface with Cree Smartcast® Technology</b> <a href="#">CIF-10V-CWC-SNSR</a>
<b>Surface Mount Kit</b> <a href="#">SMK-ZR22</a>	- For use with luminaires with 10V controls when integral SmartCast isn't available
- Not for use with EB14 or SmartCast® Technology	<b>Cree SmartCast® Technology Configuration Tool</b> <a href="#">CCT-CWC-1</a>
<b>6' Flexible Power Whip</b> <a href="#">PW-18/4-06-9T/SS</a>	- One required per project when CIF-10V is selected
- For use in non-dimming applications only	<b>Chicago Plenum Field Kit</b> CPLZR
	- Fits all ZR types to be installed in the field



## Ordering Information

Example: ZR22T-32L-35K-10V

ZR22T	32L			10V	
Product	Initial Delivered Lumens	CCT	Voltage	Control	Options
ZR22T	32L 32W, 3,200 Lumens	30K 3000K 35K 3500K 40K 4000K 50K 5000K	Blank 120-277 Volt 34 347 Volt	10V 0-10V dimming to 5%	EB14 Emergency Backup - 1,400 lumens - Not available with 347 Volt - Provides 90 minutes of emergency operation



Rev. Date: V1 04/05/2017



# ZR22™ 2' x 2' TrueWhite® Series LED Troffer with Gloss Finish

## Product Specifications

### CREE TRUEWHITE® TECHNOLOGY

A revolutionary way to generate high-quality white light, Cree TrueWhite® Technology is a patented approach that delivers an exclusive combination of 90+ CRI, beautiful light characteristics, and lifelong color consistency, all while maintaining high luminous efficacy – a true no compromise solution.

### CONSTRUCTION & MATERIALS

- Durable 22 ga. cold rolled steel housing provides strength and uniformity
- Ultra-thin 3.9" (99mm) luminaire height and lightweight design effectively target a broad range of plenum spaces and allow for easy installations
- Luminaire is pre-painted for enhanced smooth finish
- Includes t-bar clips and holes for mounting support wires (by others)
- Luminaire sides and ends are hemmed in for safe, easy handling
- Includes lens gasket to prevent ingress of insects
- Not for installation within 3" (76mm) of insulation
- Removable lens for easy maintenance and cleaning
- Magnetic lens to prevent dust and bug intrusion

### OPTICAL SYSTEM

- Unique luminaire design creates perfect balance of both horizontal and vertical illumination
- Optimized smooth acrylic lens eliminates pixelation and delivers a low-glare, diffused light distribution

### ELECTRICAL SYSTEM

- Cree born components including highly efficacious Cree® LED chips along with an integral high-efficiency Cree® driver
- **Power Factor:** = 0.9 nominal for 120-277V
- **Input Power:** Stays constant over life
- **Input Voltage:** 120-277V or 347V, 60Hz
- **Operating Temperature Range:** 0°C - + 35°C (32°F - + 95°F)
- **Total Harmonic Distortion:** < 20% for standard fixtures; < 25% for EB option

### CONTROLS

- Continuous dimming to 5% with 0-10V DC control protocol
- **10V Source Current:** 0.25mA
- For use with Class 2 dimming systems only
- Use only lighting controls with neutral connection or controls intended for use with LED fixtures
- Reference [www.creelink.com/exLink.asp?70982140Z58R34126620963](http://www.creelink.com/exLink.asp?70982140Z58R34126620963) for recommended dimming controls and wiring diagrams

### REGULATORY & VOLUNTARY QUALIFICATIONS

- cULus Listed
- Suitable for damp locations
- Designed for indoor use
- UL924 (EB option). Maximum mounting height: 15.0' (4.6m)
- RoHS compliant. Consult factory for additional details
- Meets FCC Part 15, Subpart B, Class A standards for conducted and radiated emissions

Electrical Data*						
Initial Delivered Lumens	System Watts 120-347V	Total Current (A)				
		120V	208V	240V	277V	347V
32L	32	0.25	0.16	0.14	0.12	0.10
32L w/EB14 Option	36	0.32	0.19	0.17	0.14	0.12

\* Electrical data at 25°C (77°F). Actual wattage may differ by +/- 10% when operating between 120-347V +/- 10%

Recommended ZR-T Series Lumen Maintenance Factors (LMF) <sup>1</sup>					
Ambient	Initial LMF	25K hr Projected <sup>2</sup> LMF	50K hr Projected <sup>2</sup> LMF	75K hr Calculated <sup>3</sup> LMF	100K hr Calculated <sup>3</sup> LMF
0°C (32°F)	1.04	1.04	1.04	1.04	1.04
5°C (41°F)	1.03	1.03	1.03	1.03	1.03
10°C (50°F)	1.02	1.02	1.02	1.02	1.02
15°C (59°F)	1.02	1.02	1.02	1.02	1.02
20°C (68°F)	1.01	1.01	1.01	1.01	1.01
25°C (77°F)	1.00	1.00	1.00	1.00	1.00
30°C (86°F)	0.99	0.99	0.99	0.99	0.99
35°C (95°F)	0.98	0.98	0.98	0.98	0.98

<sup>1</sup> Lumen maintenance values at 25°C are calculated per TM-21 based on LM-80 data and in-situ luminaire testing

<sup>2</sup> In accordance with IESNA TM-21-11, Projected Values represent interpolated value based on time durations that are within six times (6X) the IESNA LM-80-08 total test duration (in hours) for the device under testing (DUT) i.e. the packaged LED chip

<sup>3</sup> In accordance with IESNA TM-21-11, Calculated Values represent time durations that exceed six times (6X) the IESNA LM-80-08 total test duration (in hours) for the device under testing (DUT) i.e. the packaged LED chip

## Application Reference

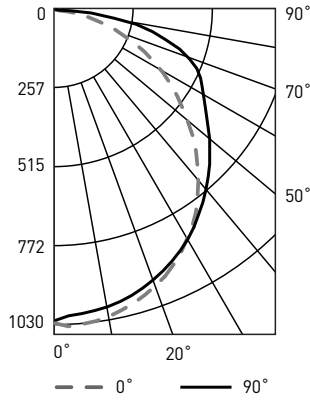
Open Space					
Spacing	Lumens	Wattage	LPW	w/ft <sup>2</sup>	Average fc
8 x 8	3,200	32	100	0.48	45
8 x 10				0.40	38
10 x 10				0.32	30
10 x 12				0.26	24

10' ceiling: 80/50/20 reflectances; 2.5' workplane, open room. LLF: 1.0 Initial Open Space: 50' x 40' x 10'

**Photometry**

**ZR22T-32L-30K -10V BASED ON DTC REPORT TEST #: PL10546-001**

Luminaire photometry has been conducted by a NVLAP accredited testing laboratory in accordance with IESNA LM-79-08. IESNA LM-79-08 specifies the entire luminaire as the source resulting in a luminaire efficiency of 100%.



Coefficients Of Utilization – Zonal Cavity Method				
RC %:	80			
RW %:	70	50	30	10
RCR: 0	119	119	119	119
1	108	102	98	93
2	97	88	81	75
3	88	77	68	62
4	81	68	59	52
5	74	61	51	44
6	68	54	45	39
7	63	49	40	34
8	59	45	36	30
9	55	41	33	27
10	52	38	30	25

Effective Floor Cavity Reflectance: 20%

Zonal Lumen Summary			
Zone	Lumens	% Lamp	Luminaire
0-30	791	N/A	25.3%
0-40	1,294	N/A	41.4%
0-60	2,308	N/A	73.8%
0-90	3,127	N/A	100%
0-180	3,127	N/A	100%

Average Luminance Table (cd/m <sup>2</sup> )				
Vertical Angle	Horizontal Angle			
		0°	45°	90°
	45°	13,826	14,649	15,216
55°	12,758	14,590	15,944	
65°	11,451	15,430	18,755	
75°	9,523	17,908	21,834	
85°	6,777	17,451	20,038	

Reference <http://creecanada.com/products/interior/troffers/zr-series/> for detailed photometric data

