

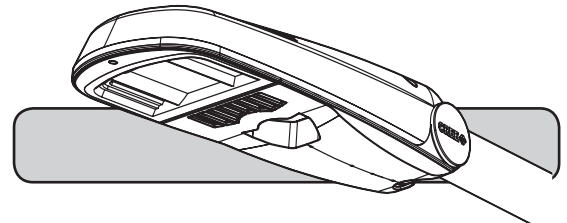
## IMPORTANT SAFEGUARDS

When using electrical equipment, basic safety precautions should always be followed including the following:

### READ AND FOLLOW ALL SAFETY INSTRUCTIONS

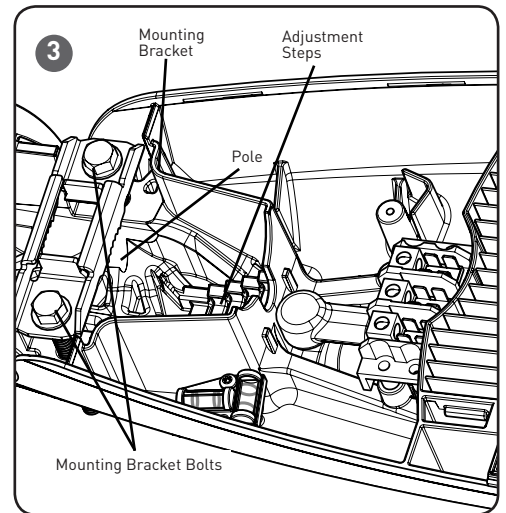
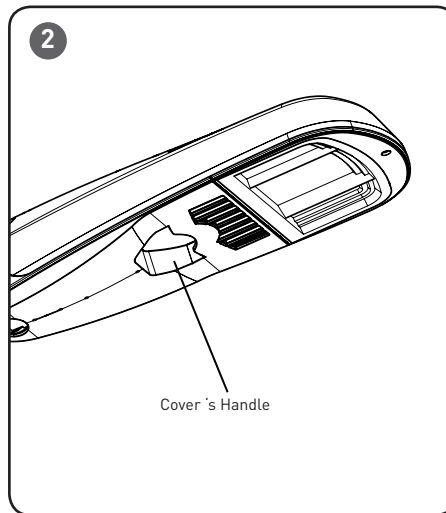
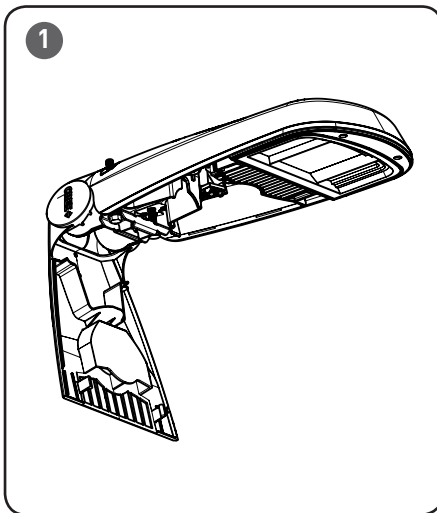
- 1. DANGER-** Risk of shock- Disconnect power before installation.  
**DANGER – Risque de choc – Couper l'alimentation avant l'installation.**
- This luminaire must be installed in accordance with the NEC or your local electrical code. If you are not familiar with these codes and requirements, consult a qualified electrician.  
*Ce produit doit être installé conformément à NEC ou votre code électrique local. Si vous n'êtes pas familier avec ces codes et ces exigences, veuillez contacter un électricien qualifié.*
- If NEMA® photo control is installed refer to NEMA® Receptacle section for instructions.
- If mounting bolts are completely removed in the field they should be hand threaded (prior to use of power tools) to ensure proper engagement of the thread when re-installing. Failure to pre-start threads may result in cross-threading or stripping of the bolts during reinstallation.

## INSTALLATION INSTRUCTIONS



### SAVE THESE INSTRUCTIONS FOR FUTURE REFERENCE

#### TO INSTALL:



#### LUMINAIRE INSTALLATION

##### STEP 1:

Slide fixture on to a minimum 8" tenon, through opening on the rear of housing. See **Figure 3**.

##### STEP 2:

Once desired position is achieved, open cover by holding fixture and pulling the handle and allow the cover to swing open. See **Figure 1 and 2**.

##### STEP 3:

To level fixture, use bubble level located inside housing. Adjust leveling of fixture from side to side. To level from front to back, slide pole to different step in upper housing. Each step changes the angle in 2.5° degree increments.

##### STEP 4:

Tighten mounting bolts to the appropriate torque values specified in TORQUE VALUES table on the back page. See **Figure 3** (use 9/16" socket wrench).

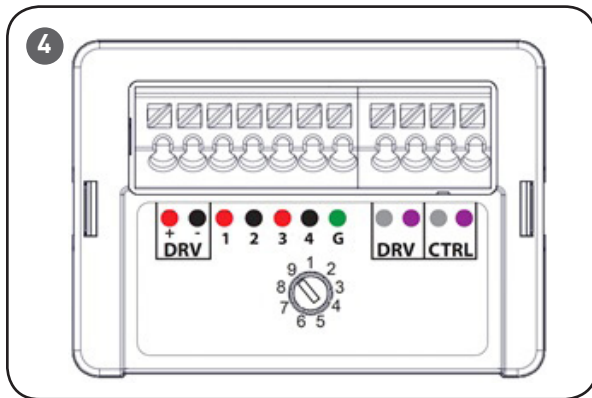
##### STEP 5:

**IMPORTANT - DO NOT** exceed these torque levels on the mount bolts. Exceeding recommended torque value resulting in excessive deformation of mounting bracket will cause stripping of mount hardware which could lead to an unsafe mounting condition.

##### STEP 6:

Reference **Electrical Connections** section for completing electrical connections.

TORQUE VALUES			
Pipe Size	Pipe Position	Bolt Torque Required (in-lbs)	Bolt Torque Required (N-m)
1.66 in O.D.	+5.0 degrees tilt	100	11
	+2.5 degrees tilt	100	11
	0 degrees (no tilt)	100	11
	-2.5 degrees tilt	100	11
	-5.0 degrees tilt	100	11
2.38 in O.D.	+5.0 degrees tilt	100	11
	+2.5 degrees tilt	100	11
	0 degrees (no tilt)	100	11
	-2.5 degrees tilt	100	11
	-5.0 degrees tilt	100	11



## NEMA® RECEPTACLE

### STEP 1:

Rotational adjustment of the photo control is tool-less.

### STEP 2:

Engage/install photo control into NEMA receptacle on top of the fixture. If no photo control will be used with luminaire install customer supplied shorting plug into receptacle.

### STEP 3:

Firmly rotate photo-control with its photo-eye approximately in the 'N' north direction. Some photo-controls operate best somewhere between NW and NE.

## FIELD ADJUSTABLE DIMMING (OPTIONAL)

**NOTE:** This luminaire may be provided with field adjustable dimming. Luminaires leave the factory at full power. Visit <https://www.creelink.com/exLink.asp?278146640B66S98I44944160> for product dimming spec sheet.

### STEP 1:

The Dimming module is located inside the luminaire. Open the cover by holding luminaire and pulling the handle. Allow the cover to swing open.

### STEP 2:

Establish the desired input power multiplier by referring to the product dimming spec sheet and turn the switch to the correlating position. Ensure to place proper supplied utility wattage label on luminaire cover.

### STEP 3:

Adjust the Dimming Module, see **Figure 4**, to the selected position and close the cover ensuring no wires are pinched.

## FCC NOTICE

**CAUTION:** Changes or modifications not expressly approved could void your authority to use this equipment.

This device complies with part 15 of the FCC Rules. Operation is subject to the following two conditions: (1) This device may not cause harmful interference, and (2) this device must accept any interference received, including interference that may cause undesired operation.

This equipment has been tested and found to comply with the limits for a Class A digital device, pursuant to part 15 of the FCC Rules. These limits are designed to provide reasonable protection against harmful interference when the equipment is operated in a commercial environment. This equipment generates, uses, and can radiate radio frequency energy and, if not installed and used in accordance with the instruction manual, may cause harmful interference to radio communications. Operation of this equipment in a residential area is likely to cause harmful interference in which case the user will be required to correct the interference at his own expense.

CAN ICES-003 (A)/NMB-003 (A)

## ELECTRICAL CONNECTIONS

### STEP 1:

Make the following Electrical Connections to the terminal block:

- For 120/277V connect the black fixture lead to the voltage supply position of the terminal block (Hot 1 for 208/240V wiring).
- For 120/277V connect the white fixture lead to the neutral supply position of the terminal block or (Hot 2 for 208/240V wiring).
- Connect the green or green/yellow ground lead to the green wire position of the terminal block.

Dimming capabilities may be accessible through optional Nema receptacle.

- If Dimming is an option; connect the violet dimming positive lead to the supply dimming positive lead.
- If Dimming is an option; connect the grey dimming negative lead to the supply dimming negative lead.
- If dimming through Nema is an option, install photo control with dimming capabilities.

### STEP 2:

Push excess supply wires into pole.

### STEP 3:

Close cover, making sure that no wires are pinched and latches are fully engaged.

