

PS Series

Crown-Weld® Square Straight Steel Poles

Product Description

Non-tapered square steel poles are supplied with a welded base with cover, four galvanized anchor bolts, masonite mounting template and pole cap (except tenon mount). Each anchor bolt is provided with two washers and two nuts. Steel pole base has slotted holes. Per National Electrical Code requirements, pole is standard with a 2" x 6" hand hole, located 18" above the bottom of pole base. A #10-32 stainless-steel weld stud with grounding lug is located inside the pole, opposite the hand hole. A hand hole cover is supplied but shipped separately. In addition, 4" x 27" and 4" x 30" poles include an internal 5/16" steel reinforced sleeve welded inside the bottom 24" of the pole, as well as a reinforcement welded around the hand hole for added strength. The hand hole location on reinforced poles is 12" above the bottom of the pole base.

CONSTRUCTION & MATERIALS

- Square, non tapered pole of structural steel tubing (ASTM A 500) with a minimum yield of 46,00 p.s.i.
- Welded to a formed carbon steel base plate with a minimum yield strength of 36,000 p.s.i.
- Exclusive Colorfast DeltaGuard® finish features an E-Coat epoxy primer with an ultra-durable powder topcoat, providing excellent resistance to corrosion, ultraviolet degradation and abrasion

REGULATORY & VOLUNTARY QUALIFICATIONS

- National Electrical Code Requirements
- UL Listed in US for electrical ground bonding
- CSA Certified in Canada for ground bonding and structural strength

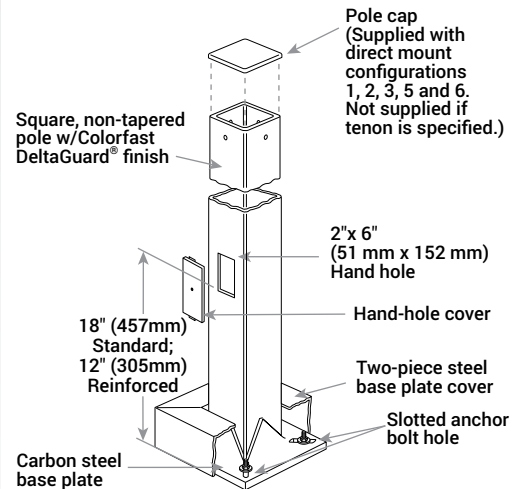
LIMITED WARRANTY*

- 7 years on pole/7 years on Colorfast DeltaGuard® finish

*See www.cree.com/canada for warranty terms

Accessories

Field-Installed	
GFI Outlet Accessory – 120V	
REC-GFIBZ - Bronze Finish	REC-GFIWH - White Finish
REC-GFIBK - Black Finish	REC-GFISV - Silver Finish



Ordering Information

Example: PS3S10C1BK

Product				Mounting Configuration		Color Options
PS3S10C 10' x 3" x 0.125"	PS4S15C 15' x 4" x 0.125"	PS4S25C 25' x 4" x 0.125"	PS4S30H 30' x 4" x 0.188"	1 Single ¹		BK Black
PS3S15C 15' x 3" x 0.125"	PS4S17C 17' x 4" x 0.125"	PS4S25S 25' x 4" x 0.188"	PS5S25S 25' x 5" x 0.188"	2 Twin @ 180 ¹		BZ Bronze
PS3S20C 20' x 3" x 0.125"	PS4S20C 20' x 4" x 0.125"	PS4S27R 27' x 4" x 0.125"	PS5S30S 30' x 5" x 0.188"	3 Twin @ 90 ¹		SV Silver
PS4S10C 10' x 4" x 0.125"	PS4S22C 22' x 4" x 0.125"	PS4S30R 30' x 4" x 0.125"	PS6S30S 30' x 6" x 0.188"	5 Triple ¹		WH White
PS4S12C 12' x 4" x 0.125"	PS4S22S 22' x 4" x 0.188"			6 Quad ¹		
				T Tenon ²		

¹ Direct mount pole configuration. N/A for Cree Edge™ High Output luminaires

² Order tenon separately. Refer to [Bracket and Tenons spec sheet](#) for additional information



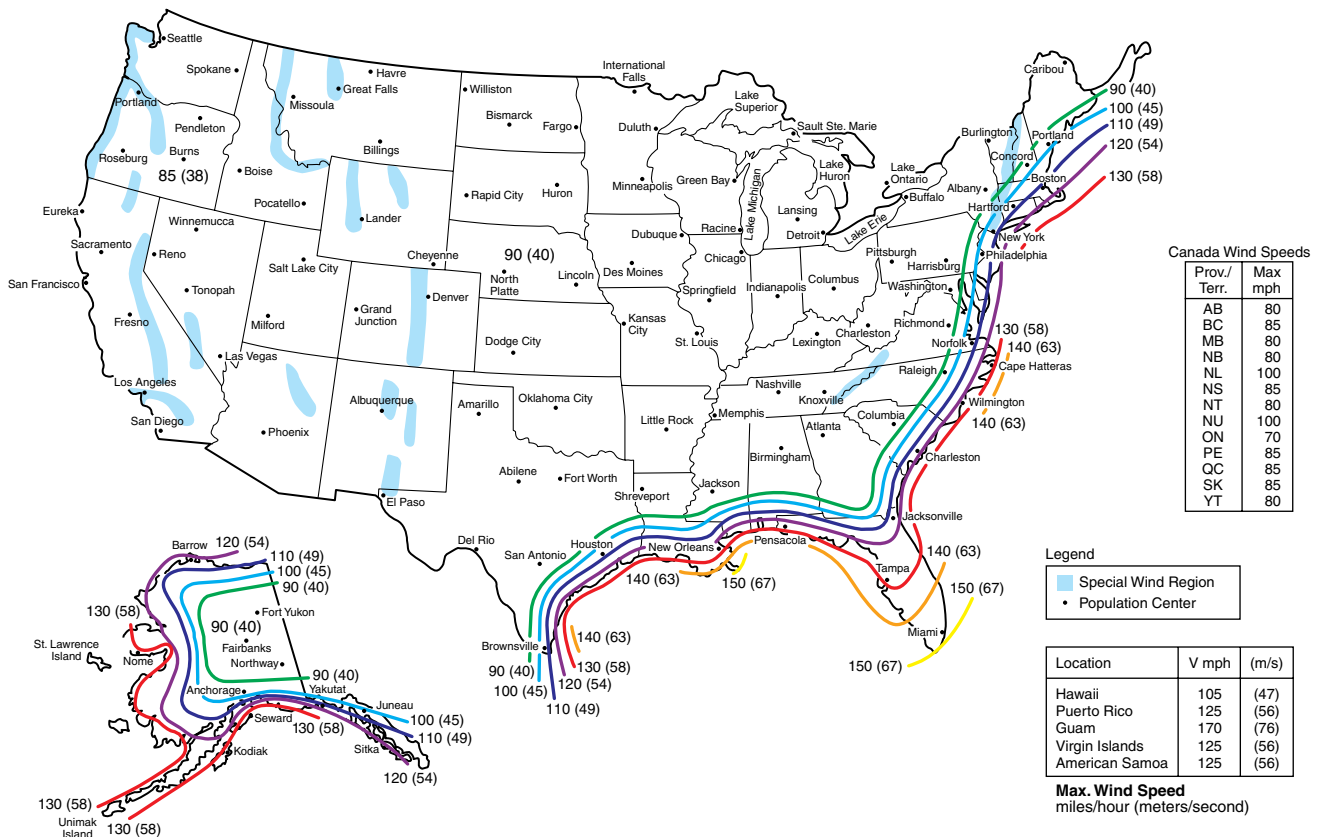
PS Series Crown-Weld® Square Straight Steel Poles

EPA & Weight

Product	Height x Width x Wall	Base Plate	Bolt Circle/Range (in)	Anchor Bolt Size	Pole EPA Rating – Base Wind Velocity (MPH)								Maximum Luminaire Weight	Approx. Shipping Weight
					70	80	90	100	110	120	130	140		
PS3S10C	10' x 3" x 0.125"	10" Sq. x 0.50" Thick	10/9.3-11	3/4"-10x18" + 3"	31.4	23.6	18.2	14.3	11.5	9.3	7.0	6.3	250 lbs. (114kg)	58 lbs. (26kg)
PS3S15C	15' x 3" x 0.125"	10" Sq. x 0.75" Thick	10/9.3-11	3/4"-10x18" + 3"	18.5	13.4	9.9	7.4	5.5	4.1	3.0	2.2	250 lbs. (114kg)	82 lbs. (37kg)
PS3S20C	20' x 3" x 0.125"	10" Sq. x 0.75" Thick	10/9.3-11	3/4"-10x18" + 3"	11.5	7.8	5.2	3.3	2.0	0.9	0.1	0.0	250 lbs. (114kg)	119 lbs. (54kg)
PS4S10C	10' x 4" x 0.125"	10" Sq. x 0.75" Thick	10/9.3-11	3/4"-10x18" + 3"	59.9	45.2	35.1	27.9	22.6	18.5	15.4	12.9	350 lbs. (159kg)	78 lbs. (35kg)
PS4S12C	12' x 4" x 0.125"	10" Sq. x 0.75" Thick	10/9.3-11	3/4"-10x18" + 3"	48.4	36.2	27.9	21.9	17.5	14.2	11.6	9.5	350 lbs. (159kg)	99 lbs. (45kg)
PS4S15C	15' x 4" x 0.125"	10" Sq. x 0.75" Thick	10/9.3-11	3/4"-10x30" + 3"	36.5	26.9	20.3	15.6	12.1	9.5	7.4	5.8	350 lbs. (159kg)	119 lbs. (54kg)
PS4S17C	17' x 4" x 0.125"	10" Sq. x 0.75" Thick	10/9.3-11	3/4"-10x30" + 3"	30.7	22.3	16.6	12.5	9.41	7.1	5.3	3.9	350 lbs. (159kg)	131 lbs. (59kg)
PS4S20C	20' x 4" x 0.125"	10" Sq. x 0.75" Thick	10/9.3-11	3/4"-10x30" + 3"	24.0	16.9	12.1	8.7	6.1	4.2	2.7	1.5	350 lbs. (159kg)	150 lbs. (68kg)
PS4S22C	22' x 4" x 0.125"	10" Sq. x 0.75" Thick	10/9.3-11	3/4"-10x30" + 3"	20.4	14.0	9.7	6.6	4.3	2.5	1.2	0.1	310 lbs. (141kg)	163 lbs. (74kg)
PS4S22S	22' x 4" x 0.188"	10" Sq. x 0.75" Thick	10/9.3-11	3/4"-10x30" + 3"	31.1	22.3	16.2	11.8	8.6	6.2	4.3	2.8	350 lbs. (159kg)	207 lbs. (94kg)
PS4S25C	25' x 4" x 0.125"	10" Sq. x 0.75" Thick	10/9.3-11	3/4"-10x30" + 3"	15.9	10.4	6.6	3.9	1.9	0.4	0.0	0.0	350 lbs. (159kg)	182 lbs. (83kg)
PS4S25S	25' x 4" x 0.188"	10" Sq. x 0.75" Thick	10/9.3-11	3/4"-10x30" + 3"	25.3	17.6	12.3	8.5	5.7	3.6	1.9	0.6	350 lbs. (159kg)	252 lbs. (114kg)
PS4S27R	27' x 4" x 0.125"	10" Sq. x 0.75" Thick	10/9.3-11	3/4"-10x30" + 3"	22.0	14.9	10.0	6.6	4.0	2.0	0.0	0.0	280 lbs. (127kg)	232 lbs. (105kg)
PS4S30R	30' x 4" x 0.125"	10" Sq. x 0.75" Thick	10/9.3-11	3/4"-10x30" + 3"	17.7	11.4	7.1	4.0	1.7	0.0	0.0	0.0	315 lbs. (143kg)	301 lbs. (137kg)
PS4S30H	30' x 4" x 0.188"	10" Sq. x 0.75" Thick	10/9.3-11	3/4"-10x30" + 3"	19.5	12.5	7.8	4.4	1.9	0.0	0.0	0.0	340 lbs. (155kg)	337 lbs. (153kg)
PS5S25S	25' x 5" x 0.188"	10" Sq. x 0.75" Thick	10/9.7-11.3	1"-8x36" + 4"	43.9	31.4	22.8	16.6	12.1	8.7	6.0	3.8	450 lbs. (204kg)	320 lbs. (145kg)
PS5S30S	30' x 5" x 0.188"	10" Sq. x 0.75" Thick	10/9.7-11.3	1"-8x36" + 4"	32.2	21.9	14.9	9.9	6.2	3.4	1.2	0.0	375 lbs. (170kg)	379 lbs. (172kg)
PS6S30S	30' x 6" x 0.188"	12" Sq. x 1.0" Thick	11.5/11.3-12.8	1"-8x36" + 4"	50.8	35.7	25.3	17.9	12.4	8.2	4.9	2.4	525 lbs. (238kg)	457 lbs. (207kg)

NOTE: Hanging signs, banners and flags on poles changes the EPA rating and increases vibration. The EPA ratings data provided does not allow for this added stress which could result in pole or luminaire failure

This map indicates approximate maximum wind zones throughout the U.S. Base wind velocities are established using a 50-year recurring mean. The EPA rating of the pole must be equal to or greater than that of the luminaire(s), taking into consideration the wind conditions at the job site.



© 2015 Cree, Inc. and/or one of its subsidiaries. All rights reserved. For informational purposes only. Content is subject to change. Patent www.cree.com/patents. Cree®, Crown-Weld® and Colorfast DeltaGuard® are registered trademarks, and Cree Edge™ and the Cree logo are trademarks of Cree, Inc. The UL logo is a registered trademark of UL LLC.

US: www.cree.com/lighting

T (800) 236-6800 F (262) 504-5415

Canada: www.cree.com/canada

T (800) 473-1234 F (800) 890-7507

