

LS Series

LS4™ and LS8™ Reflector Options

Product Description

The LS Series reflectors are available in symmetric or asymmetric versions. The reflectors include #6-20 self drilling screws to attach reflector to luminaire. The apertured reflector provides 6% uplight.

Product Specifications

CONSTRUCTION & MATERIALS

22 gauge cold rolled steel reflector

Matte white finish providing 88% reflectance

Limited Warranty*: 1 year

* See www.cree.com/canada for warranty terms

Accessories

Field-Installed
Joint Aligner
LS-RJ - Top housing aligner for continuous rows
LS-RFLJ - Reflector aligner for continuous rows

Ordering Information

Example: LS4 SR

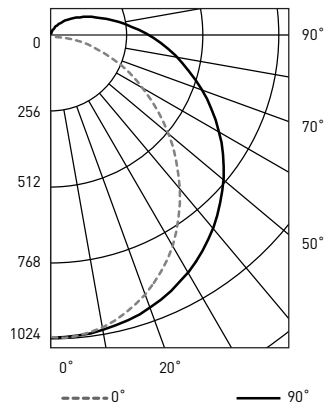
Product	Length	Reflector (Pair)
LS	4 4' 8 8'	SR Solid AR Apertured

* Reference <http://creecanada.com/products/interior/surface-ambient/ls-series/> for recommended dimming controls and wiring diagrams

Sample Photometry for 4' Reflector (Solid & Apertured Only)

LS4 40L 40K BASED ON CESTL REPORT TEST #: PL03353-001

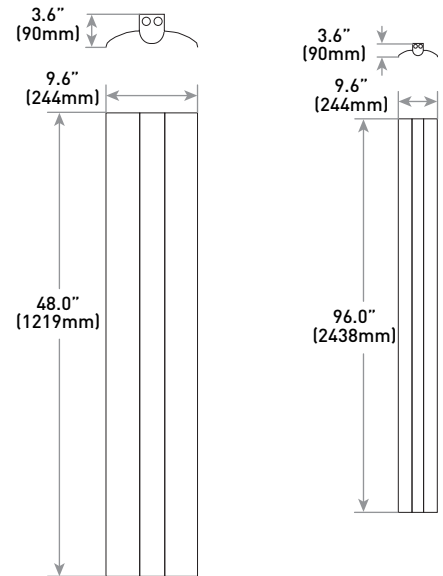
Luminaire photometry has been conducted by a NVLAP accredited testing laboratory in accordance with IESNA LM-79-08. IESNA LM-79-08 specifies the entire luminaire as the source resulting in a luminaire efficiency of 100%.



Coefficients Of Utilization – Zonal Cavity Method				
RC %:	80			
RW %:	70	50	30	10
RCR: 0	116	116	116	116
1	104	98	93	88
2	93	84	76	70
3	85	73	64	57
4	77	64	55	48
5	71	57	48	41
6	65	51	42	35
7	60	46	37	31
8	56	42	34	28
9	52	39	30	25
10	49	36	28	22

Effective Floor Cavity Reflectance: 20%

Solid Reflector



Reflector w/Apertures

