

# LED Two-Level Options

For use with Cree Edge™ Round Area Post Top and Pathway Luminaires

## Product Description

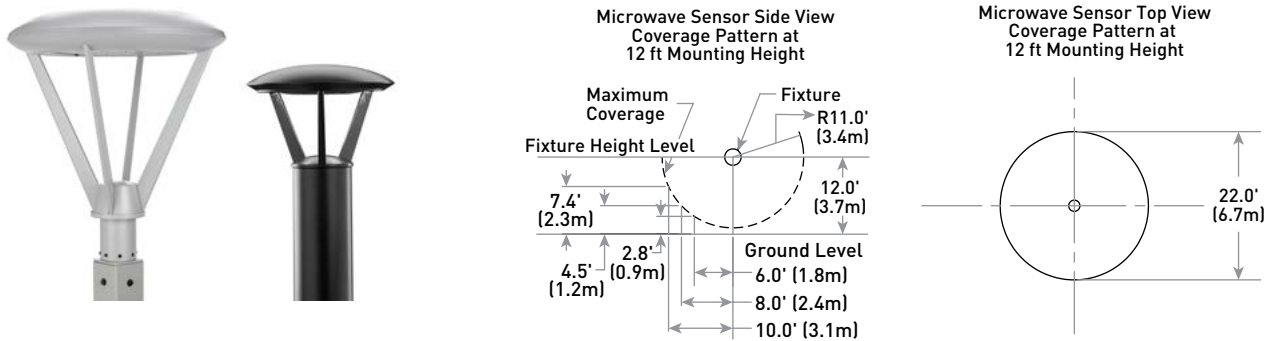
The microwave sensor used in Cree Edge™ Round Area fixtures utilizes SHF (Super High Frequency) technology to control lighting based on occupancy. It sends out electromagnetic waves that bounce off nearby surfaces, and uses the Doppler principle to analyze changes in the return waves to detect motion in the coverage area. During operation if motion is detected within the sensor's coverage area, the relay in the sensor closes and lighting loads are automatically turned on. When motion is no longer detected for the duration of the time setting, the relay opens and the lighting load is turned off, or set to low level depending on the two-level option selected. This sensor is factory set to approximately 8 minutes. This sensor operates at 120 or 277 VAC.

## Limited Warranty\*

5 year on Multi-Level Option

\*See <http://lighting.cree.com/warranty> for warranty terms

**Figure 1 - Cree Edge™ Round Area Post Top and Pathway Luminaires**



Sensor Details	
Luminaire	Coverage Area
Cree Edge™ Round Area Post Top and Pathway Luminaires	<p><b>Coverage:</b> No lens required. 12' (3.7m) maximum height at the bottom of the sensor and 22' (6.7m) diameter coverage with a 360° circular pattern.</p> <p>Half sphere coverage with 11' (3.4m) radius.</p> <p><b>See Figure 1.</b></p> <p><b>Note:</b> Consult factory for mounting heights greater than 12' (3.7m) or special mounting configurations above 12' (3.7m)</p>

## Product Availability

Cree Edge™ Series Luminaires			
Option	Voltage	Round Area R3, R4, R5 Mounts <sup>1</sup>	Pathway
TL	120 or 277V	40-120 LEDs	18 LEDs, N/A on P0 Mount
	347-480V	N/A	N/A
TL1	120 or 277V	40-60 LEDs	N/A
	347-480V	N/A	N/A
TL2	120 or 277V	40-120 LEDs	18 LEDs, N/A on P0 Mount
	347-480V	N/A	N/A
TL3	120 or 277V	40-120 LEDs	18 LEDs, N/A on P0 Mount
	347-480V	N/A	N/A
TL4	120 or 277V	40-60 LEDs	N/A
	347-480V	N/A	N/A
TL5	120 or 277V	40-120 LEDs	N/A
	347-480V	N/A	N/A

<sup>1</sup> Refer to Multi-Level spec sheet for options for the Round Area Light with DA, DL, and AA mounts

Rev. Date: V3 04/16/2018



## LED Two-Level Options

### Additional Options Available with Two-Level

Cree Edge™ Series Luminaires			
Option	Voltage	Round Area R3, R4, R5 Mounts <sup>1</sup>	Pathway
TL	120 or 277	F	F, N/A on P0 Mount
	347-480	N/A	N/A
TL1	120 or 277	N/A	N/A
	347-480	N/A	N/A
TL2	120 or 277	F	F, N/A on P0 Mount
	347-480	N/A	N/A
TL3	120 or 277	F	F, N/A on P0 Mount
	347-480	N/A	N/A
TL4	120 or 277	N/A	N/A
	347-480	N/A	N/A
TL5	120 or 277	F	N/A
	347-480	N/A	N/A

F= Fuse

Two-Level Options		
Option	Drive Current (mA)	Sensor Included
TL	175/525	YES
TL1	350/700	YES
TL2	0/350	YES
TL3	0/525	YES
TL4	0/700	YES
TL5	175/350	YES

Output Multipliers		
Drive Current (mA)	Lumen Multipliers	Power Multipliers
175	0.66	0.48
350	1.00	1.00
525	1.40	1.51
700	1.71	2.03

Note: Multipliers are for estimating purposes only. Check actual spec sheet data where available