

DGA

Drywall Grid Adaptor for CR, LR, ZR Series Troffers and Essentia® by Cree Flat Panel Troffers

Product Description

The DGA "lay-in" accessory enables Cree troffers to easily install into plaster and sheet rock ceilings. It may be installed into any hard ceiling to create a simple t-bar style opening.

Product Specifications

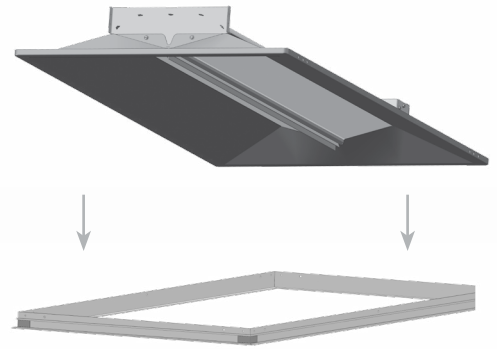
INSTALLATION

- DGA24-WHT Rough in Dimensions: 24.375" x 48.375" (619mm x 1229mm)
- DGA14-WHT Rough in Dimensions: 12.5" x 48.375" (318mm x 1229mm)
- DGA22-WHT Rough in Dimensions: 24.375" x 24.375" (619mm x 619mm)
- Tolerance for L or W: $+.125"/-0$ (+3mm/-0)

Ordering Information

Example: DGA14-WHT

Product
DGA24-WHT CR24, FP14, FP24 and ZR24 compatible
DGA14-WHT CR14, FP14 and ZR14 compatible
DGA22-WHT CR22, FP14, FP22, LR22 and ZR22 compatible



NOTE: Luminaire not included.

Rev. Date: V3 05/20/2016

© 2016 Cree, Inc. and/or one of its subsidiaries. All rights reserved. For informational purposes only. Content is subject to change. Patent www.cree.com/patents. Cree® and Essentia® are registered trademarks and the Cree logo is a trademark of Cree, Inc.

US: lighting.cree.com/lighting T (800) 236-6800 F (262) 504-5415

Canada: www.cree.com/canada

CREE 

T (800) 473-1234 F (800) 890-7507